

The Quadbox LED display has 2 menu options, accessed using the Joystick:

1. DMX PATCH Menu: sets each Relay DMX address in the range 1-512
DMX Patch menu is distinguished by the decimal point of digit 1 flashing



2. MODE Menu: sets each Relay Mode and its delays.
Mode menu is distinguished by the decimal point of digits 3 & 4 flashing



To move between DMX Patch and Mode menu:

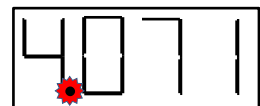
- Press joystick Left if the flashing cursor is on digit 1 or press joystick Right if the flashing cursor is on digit 4
 - The Display defaults to Mode Menu on Power-up for after display sleep

- ! To reset QuadBox to default settings press Joystick in for 5 seconds until the display flashes:
All relay channels are set to DMX Patch mode, DMX addresses set to 1 2 3 4 and all delays set to Instant
- ! Display and Indicators will fade out after five minutes after the last Joystick input

DMX PATCH Menu:

The DMX Patch menu is used to set individual DMX addresses for each relay

- Press joystick Left if the flashing cursor is on digit 1 or press joystick Right if the flashing cursor is on digit 4 (digit 3 & 4 decimal point flashing)
E.g. Relay 4, DMX 071
- Select Relay Channel (1-4) displayed on digit 1 using up/down Joystick
- Set that Relay DMX address using right Joystick to scroll to digits 2-4 and the up/down Joystick to select the address number (1-512)
- Press Joystick to Save



Relay	DMX Address
No.	(1-512)

- ! DMX Patch addresses are only used if that Relay Channel is set to DMX Patch mode (d) - See Mode Menu Setup

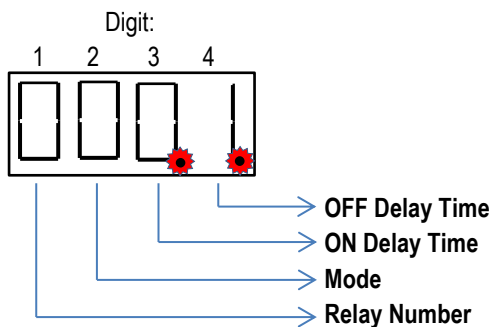
MODE Menu Setup:

The Mode Menu is used to set individual modes including delay on and delay off times for each relay (for delay times see Mode Menu Graphic, page 3)

The following Modes are available:

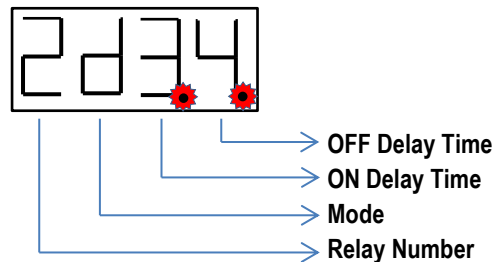
- d used when the relay is to respond to its own DMX address set in DMX Patch Menu
- S DMX Sense will turn ON the relay when any DMX signal is detected
- P Power Sense will turn ON relay when mains Power Is Present regardless of a DMX signal
- F DMX Loss will turn ON the relay when the DMX signal lost
- =OF Locks that relay in the OFF position
- =On Locks that relay in the ON position

Setting up a Relay Mode:



E.g.

- Relay 2 (2)
- Responds to its DMX Address (d)
- On Delay = 1 Sec (3)
- Off Delay = 3 Sec (4)

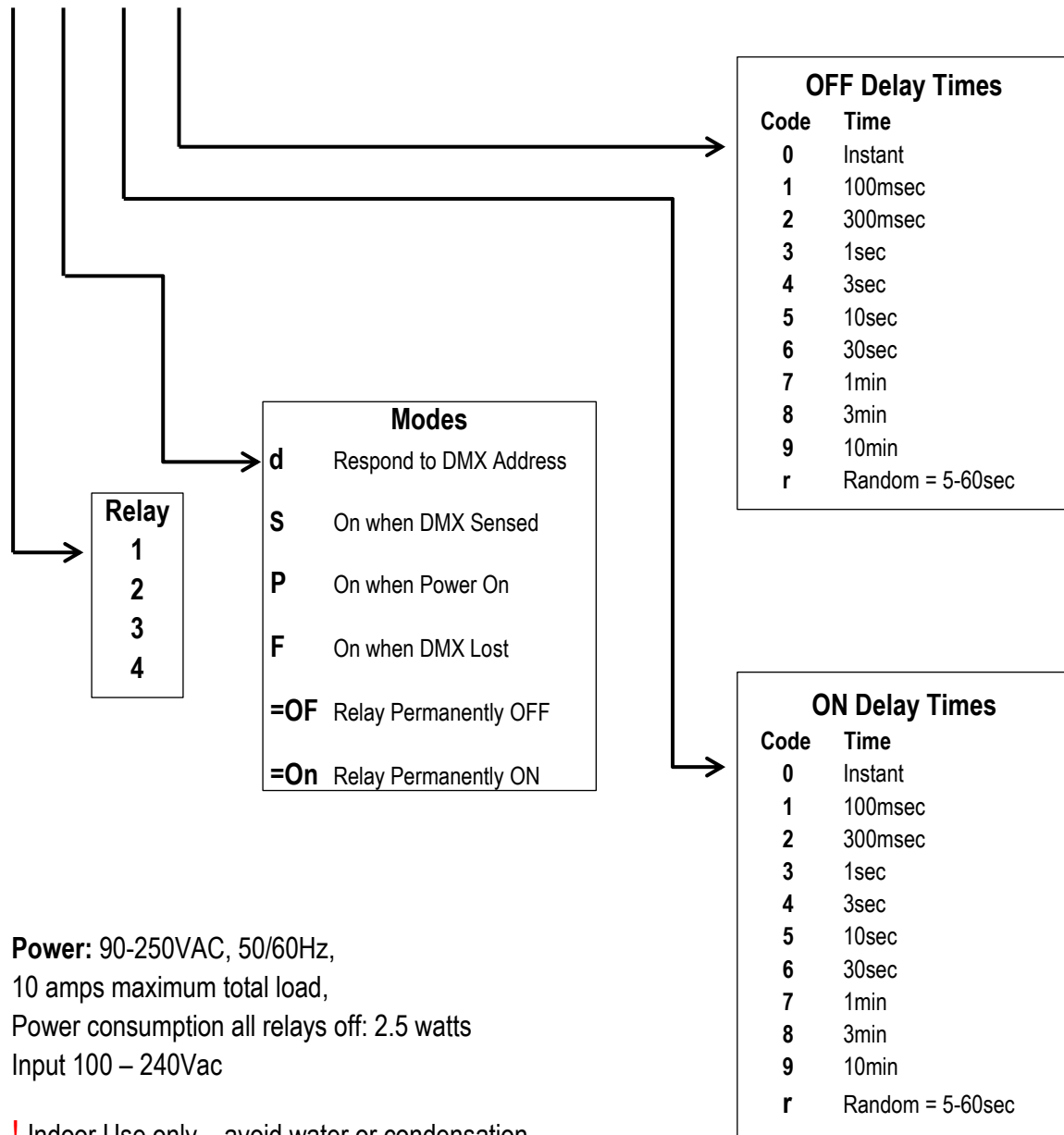
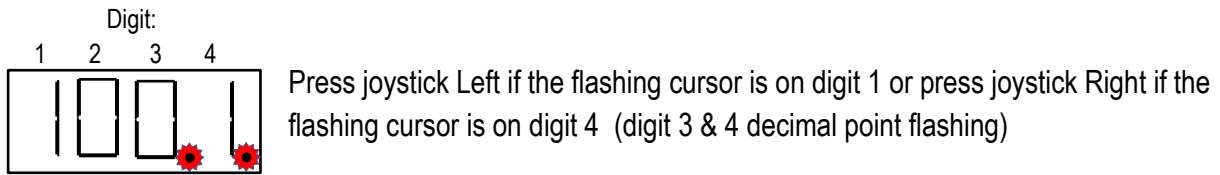


- Press joystick Left if the flashing cursor is on digit 1 or press joystick Right if the flashing cursor is on digit 4 (digit 3 & 4 decimal point flashing)
- Select Relay Number by scrolling Left to digit 1 then scroll up/down to select Relay number (1-4)
- Select Mode by scrolling to digit 2 then scroll up/down to select Mode
- Select On Delay by scrolling to digit 3 then scroll up/down to select Delay On Time Code
- Select OFF Delay by scrolling to digit 4 then scroll up/down to select Delay OFF Time Code
- Press Joystick to Save

To set another Relay Number scroll Left to digit 1 and scroll up/down to select a different Relay; the current mode and delay times for that relay will be displayed in digits two, three and four

! Any Relay set to Mode (d) will turn off 10 minutes after DMX fail

Mode Menu Graphic:



Power: 90-250VAC, 50/60Hz,
10 amps maximum total load,
Power consumption all relays off: 2.5 watts
Input 100 – 240Vac

! Indoor Use only – avoid water or condensation

! Do Not Exceed 10amp Total Load

! Not for Domestic Use